



झारखण्ड केन्द्रीय विश्वविद्यालय, राँची
CENTRAL UNIVERSITY OF JHARKHAND, RANCHI
(संसदीय अधिनियम के तहत 2009 में स्थापित केन्द्रीय विश्वविद्यालय)
(A Central University established by an Act of Parliament in 2009)

Ref. No. CUJ/P&S/Furniture/20/2022/875

Dated 21/11/2022

CORRIGENDUM

Sub.: Amendment in bid No. GEM/2022/B/GEM/2022/B/2712270 Dated: 06-11-2022 for Supply and Installation of the Furniture Items.

With reference to Bid No. GEM/2022/B/GEM/2022/B/2712270 dated 06-11-2022 all prospective bidders are hereby informed that the University has amended the following terms and conditions on the basis of representation submitted by bidders in the pre bid meeting as well as GeM Portal:-

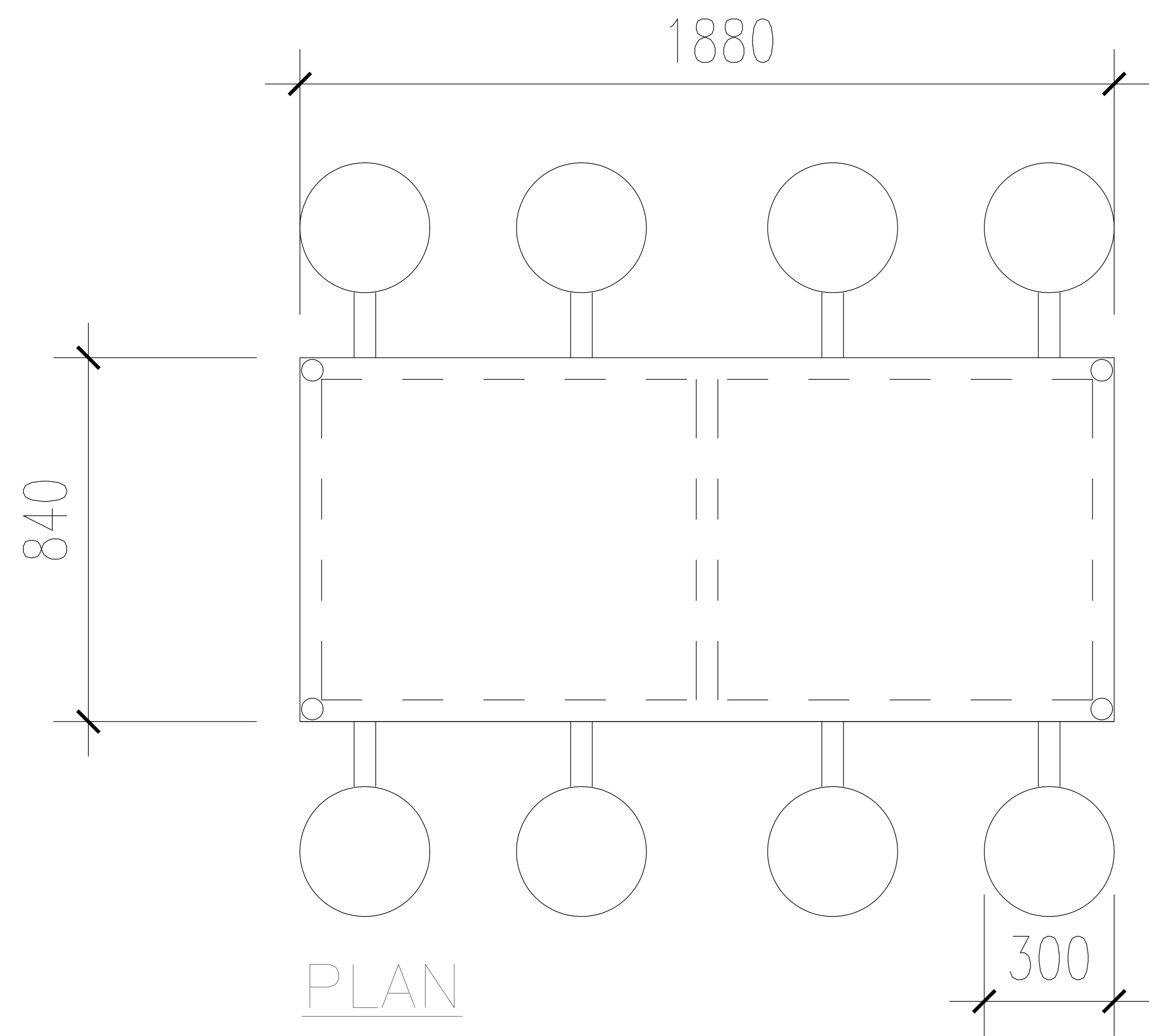
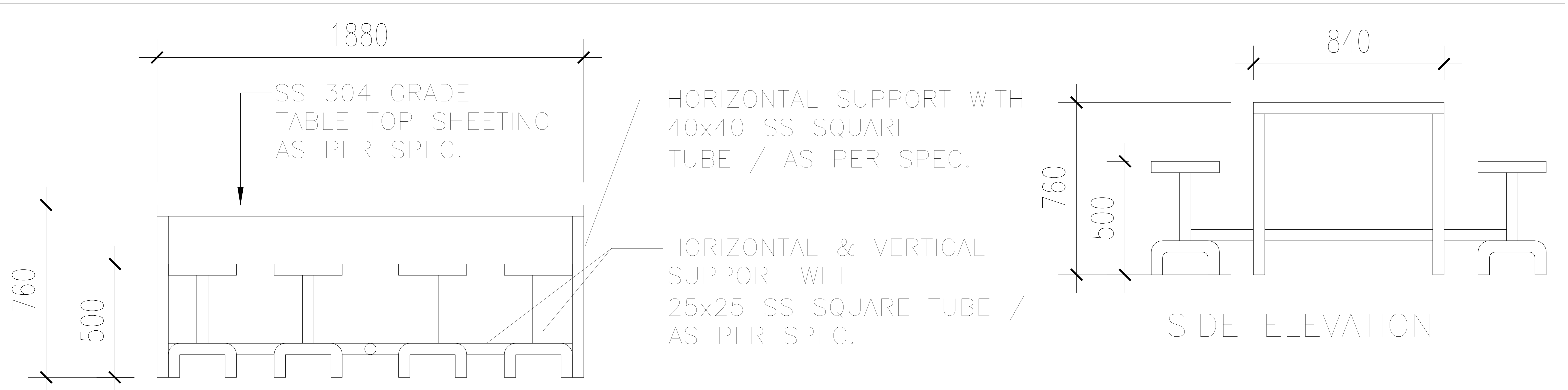
Sl. No.	Published ATC	Amended/
1	<p>Certification :</p> <ul style="list-style-type: none">The Bidder should be ISO 9001:2015, 14001:2015, ISO 45001:2018, ISO 50001:2018, and other ISO, as applicable. The item should be GRIHA/ Green Guard/Green Guard Pro/IGBC and AIOTA certified, wherever applicable. The Bidder should have BIFMA Membership Certificate and the item should be in Compliance with BIFMA Level -1, 2, and 3 certification, as applicable. Copies of all the above Certificates are to be uploaded with the Technical Bid.The Bidder should submit quality/ specified Certification from NABL Accredited Lab as per specification of respective items. <p>Datasheet of the each product and material being quoted needs to be uploaded with technical bid document.</p>	<p>Certification :</p> <ul style="list-style-type: none">The Bidder should be ISO 9001:2015, 14001:2015, ISO 45001:2018, ISO 50001:2018, and other ISO, as applicable. The item should be GRIHA/ Green Guard/Green Guard Pro/IGBC and AIOTA certified, wherever applicable. The Bidder should have BIFMA Membership Certificate and the item should be in Compliance with BIFMA 2 certification. Copies of all the above Certificates are to be uploaded with the Technical Bid.The Bidder should submit quality/ specified Certification from NABL Accredited Lab as per specification of respective items. <p>Datasheet of the each product and material being quoted needs to be uploaded with technical bid document.</p>
2	<p>The OEM supplying the Hostel Furniture must strictly adhere to the specifications mentioned in the tender. No deviation from the specifications will be entertained.</p>	<p>In which furniture items the deviation not mentioned the deviation upto ± 5 mm to ± 10mm are allowed.</p>
3	<p>In Grouted Classroom Desk-Bench</p>	<p>Detailed specifications already mentioned in the ATC and specification section of the Bid. The size of grouting plate of the grouted desk-bench should be 120mm x 100mm of 6mm thick with 04 (Four) nos. nut bolts.</p>

4	Student Study Table	The thickness of Student Study Table top sheet should be 1.5mm.
5	Student Study Chair: Supply and installation of Student Study Table Size: <ul style="list-style-type: none"> • Having an overall size of 900mm x 600mm x 750mm. • The frame is made of 60mm x 40mm in 1.6mm thickness RC/ERW/MS pipe duly powder coated 60 micron Confirming to IS 13871 in desired shade with • Perforated steel seat 1.5 mm thickness with numbering on the each as per University direction. 	Supplying & Placing Max chair without arm. The seat and back shall be made of MS CRCA powder coated perforated sheet of 1.2mm thick. The seat and back shall be fixed with metal frame. The frame structure shall be fixed cantilever support type made up of MS CRCA powder coated with 50-60 μ (DFT) round pipe of Dia 20mm with 2mm thick. There shall be PPCP shoe provided at the base to avoid scratches on the floor. The seat size shall be 425 \pm 10 mm(D) X 445 \pm 10 mm(W) and back size shall be 455 \pm 10 mm(W) X 410 \pm 10 mm(H) from seat. Overall height shall be = 770 \pm 10 mm, overall depth = 595 \pm 10 mm & overall width = 545 \pm 10 mm.
6	Diagram/design drawing of all furniture items	Required diagram/design drawing of all furniture items is attached.

Tenders may be submitted accordingly.

The other terms and conditions of the said Tender will remain unchanged.

Sd/-
Registrar
Central University of Jharkhand

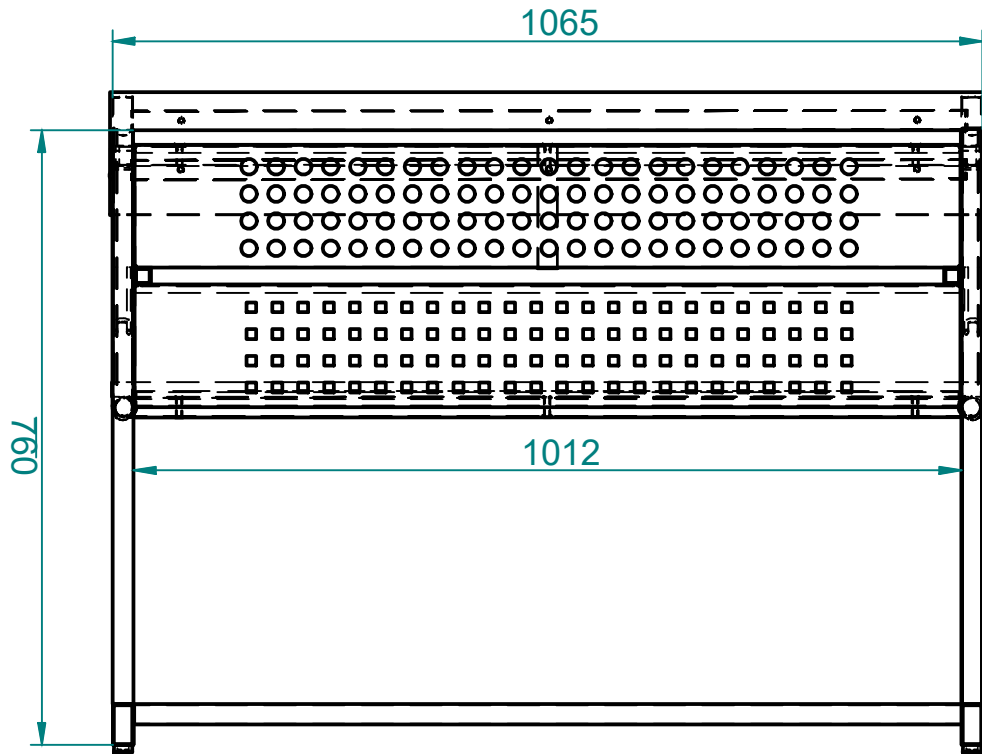


3D VIEW OF 6 SEATER DINING TABLE WITH CHAIR

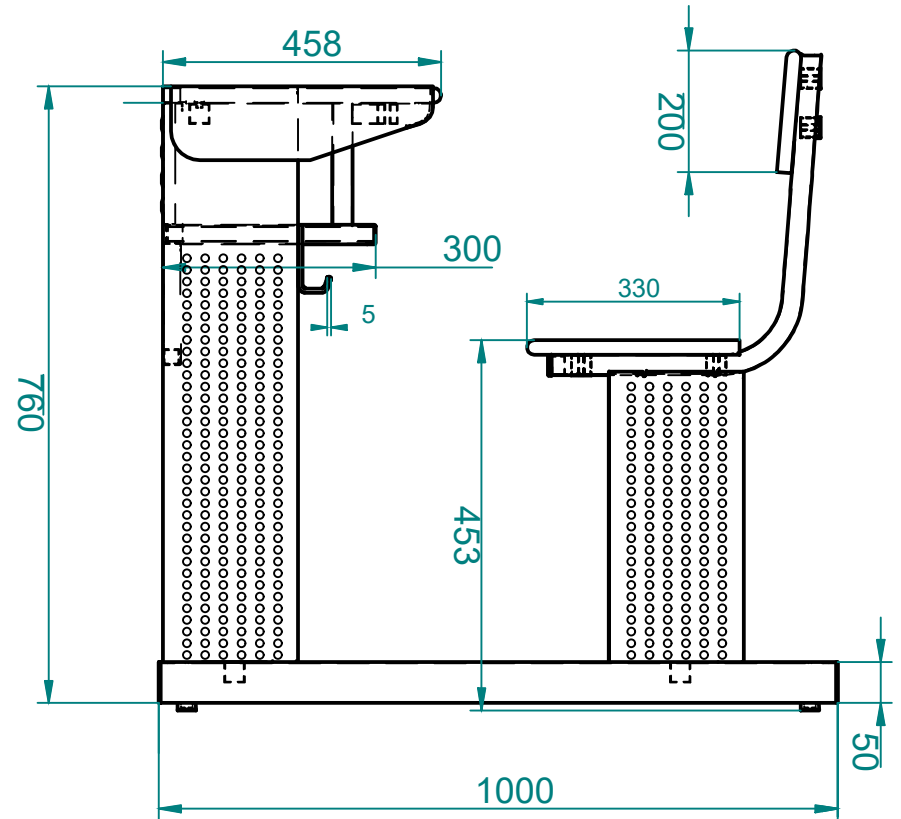
TITLE:FURNITURE DETAIL OF DINING TABLE WITH CHAIR

CENTRAL UNIVERSITY OF JHARKHAND AT RANCHI

STUDENT DESK WITHOUT GROUTING

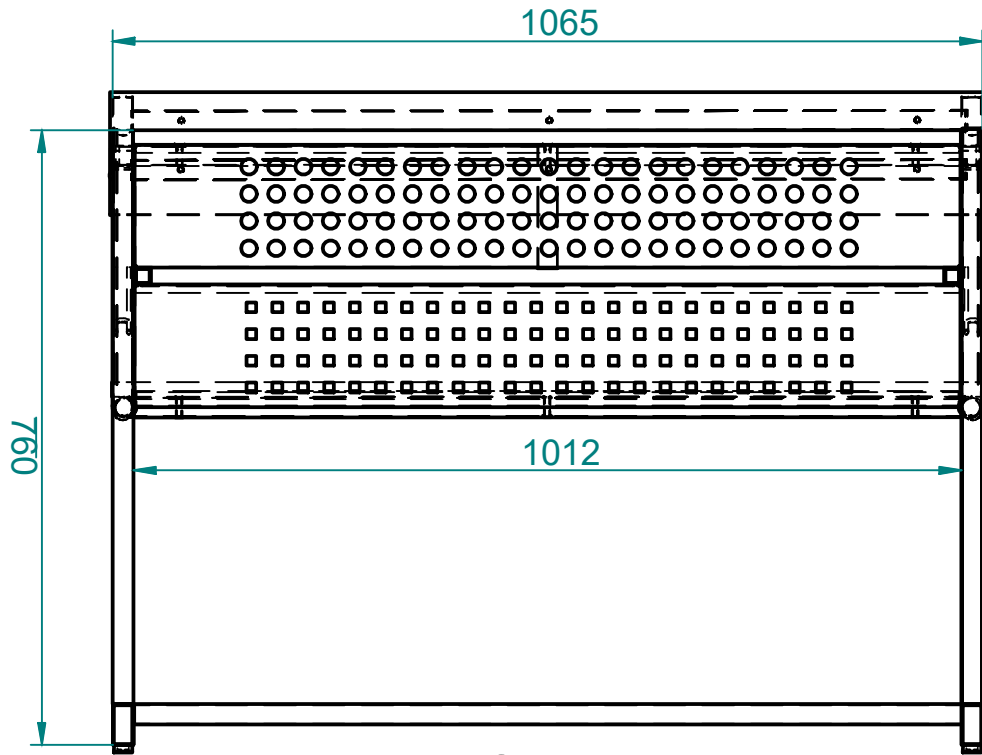


FRONT VIEW

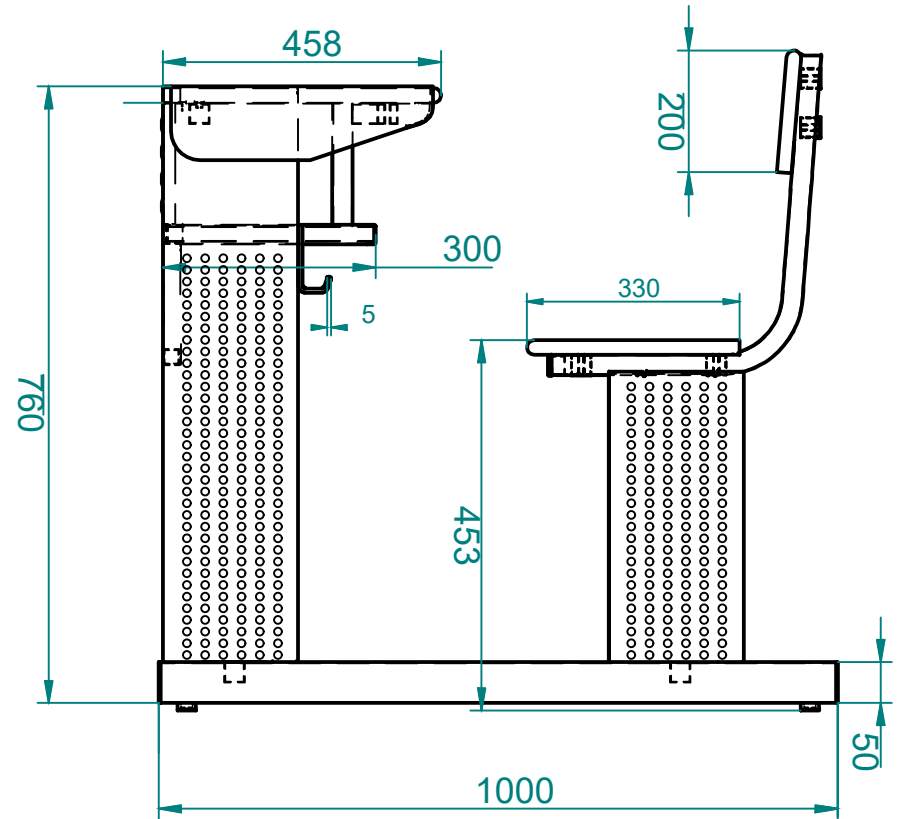


SIDE VIEW

STUDENT DESK WITH GROUTING

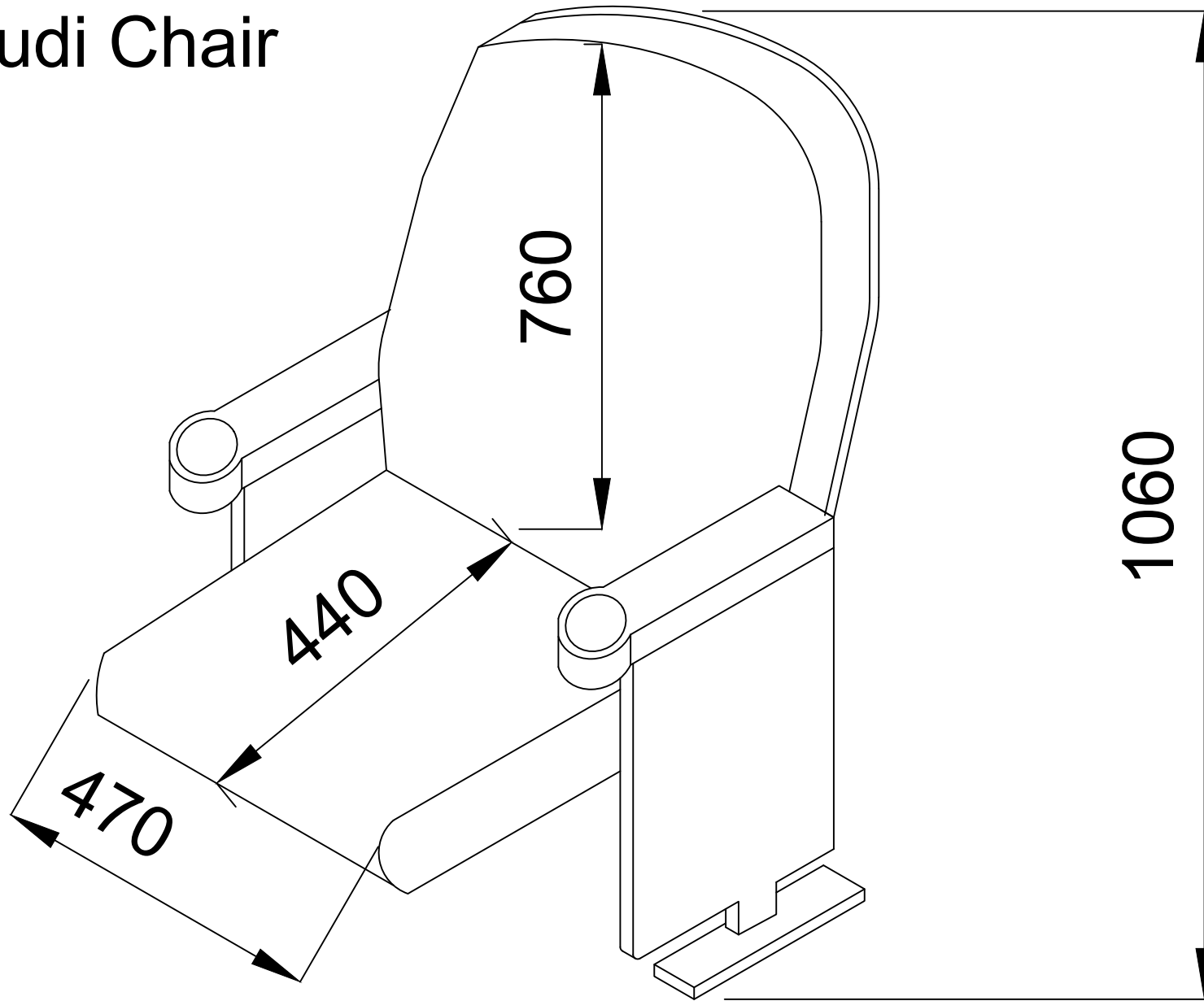


FRONT VIEW

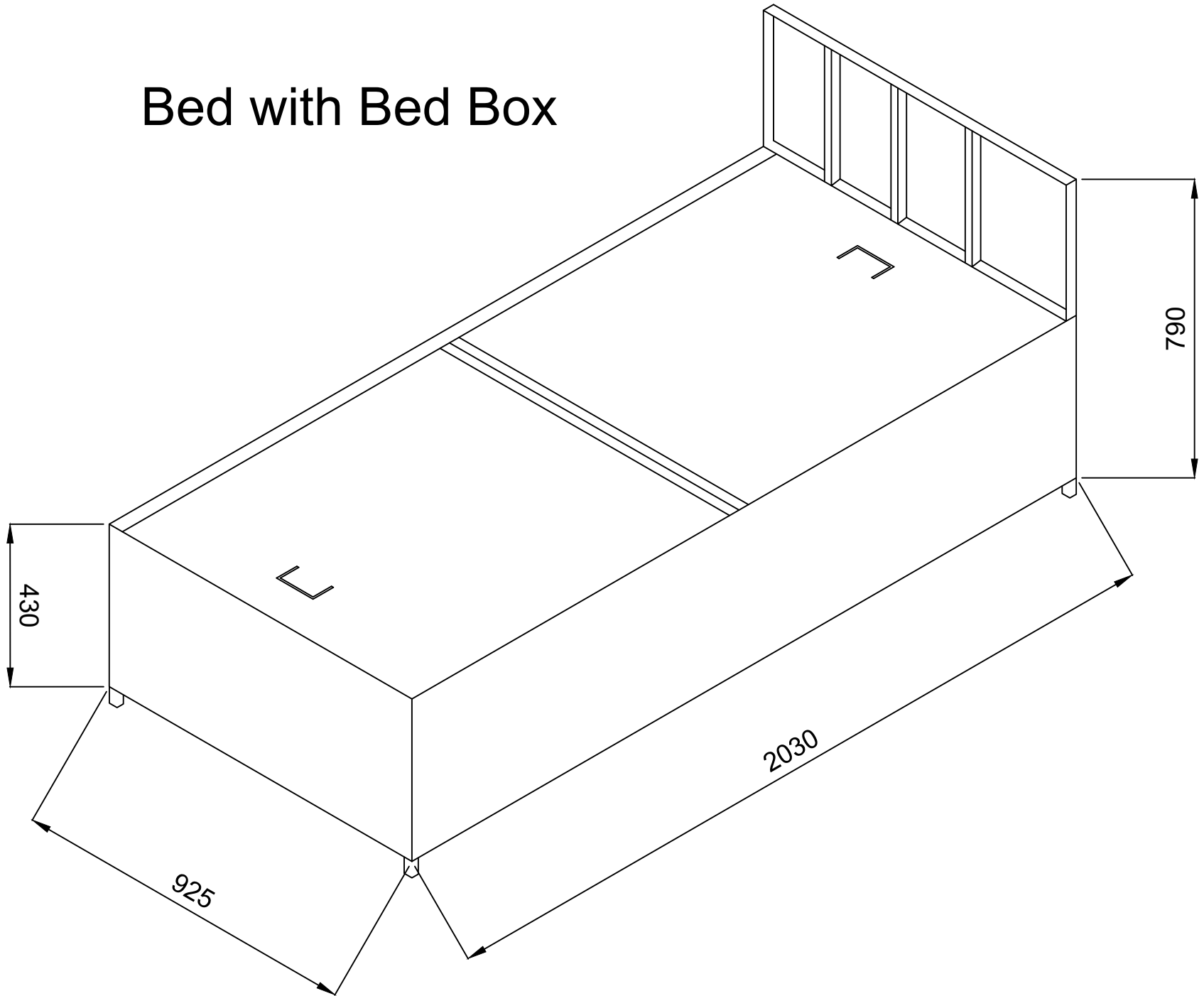


SIDE VIEW

Audi Chair



Bed with Bed Box



Student Study Chair without arm

